

GLE/VIDEO-AMP/100-B

Video Signal T-Buffer Module

Applications

- Onboard and harsh environments instrumentation.
- Armoured / heavy-duty military and civil vehicles testing.
- Flight Testing / Certification of civil and military aircrafts.



Description

GLE/VIDEO-AMP/100-B is an exceptionally robust and compact device that acts as a "T" coupler to 75 Ohm impedance analog video signal line.

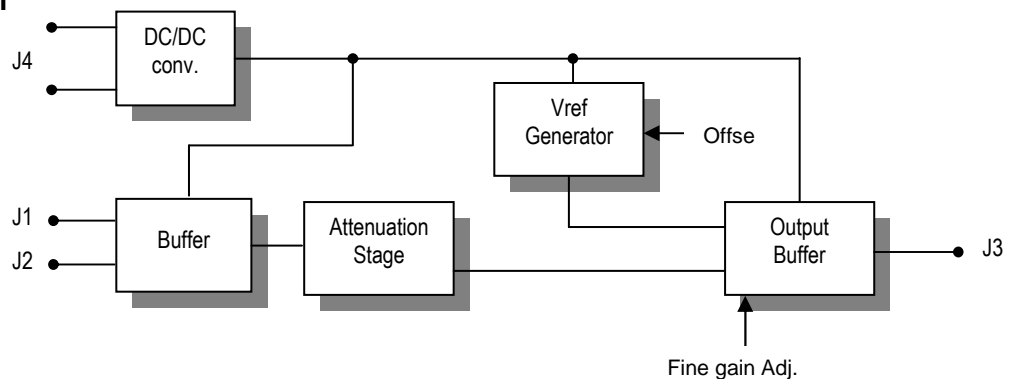
Each unit has two input connectors internally connected together, in order to be inserted directly in a video line without any interruption or perturbation and an output

connector where the buffered video signal is available. Output signal can be gain or offset adjusted by means of trimmers and soldered jumper.

Main Characteristics

Input level:	Max 10 Vpp
Input impedance:	75 Ohm or High selectable by soldered jumper
Output level:	Max 10 Vpp on 75 Ohm load
Output impedance:	75 Ohm
Gain coarse:	0.25, 0.5, 1.0, 1.5, 2.0 selectable with soldered jumper
Gain fine:	+/- 10% respect to the coarse gain
Offset:	+/- 1.75V
Power supply:	19...35VDC 1.5 Watt max
Enclosure:	Alodine treated orange painted aluminum case (dimensions 98x58x34mm)
Weight:	260 grams
Temperature Range	<i>Operating:</i> -40 ÷ +80°C / <i>Storage:</i> -50 ÷ +125°C
Humidity:	0 ... 95% RH
Altitude:	Up to 65000 ft

Block Diagram



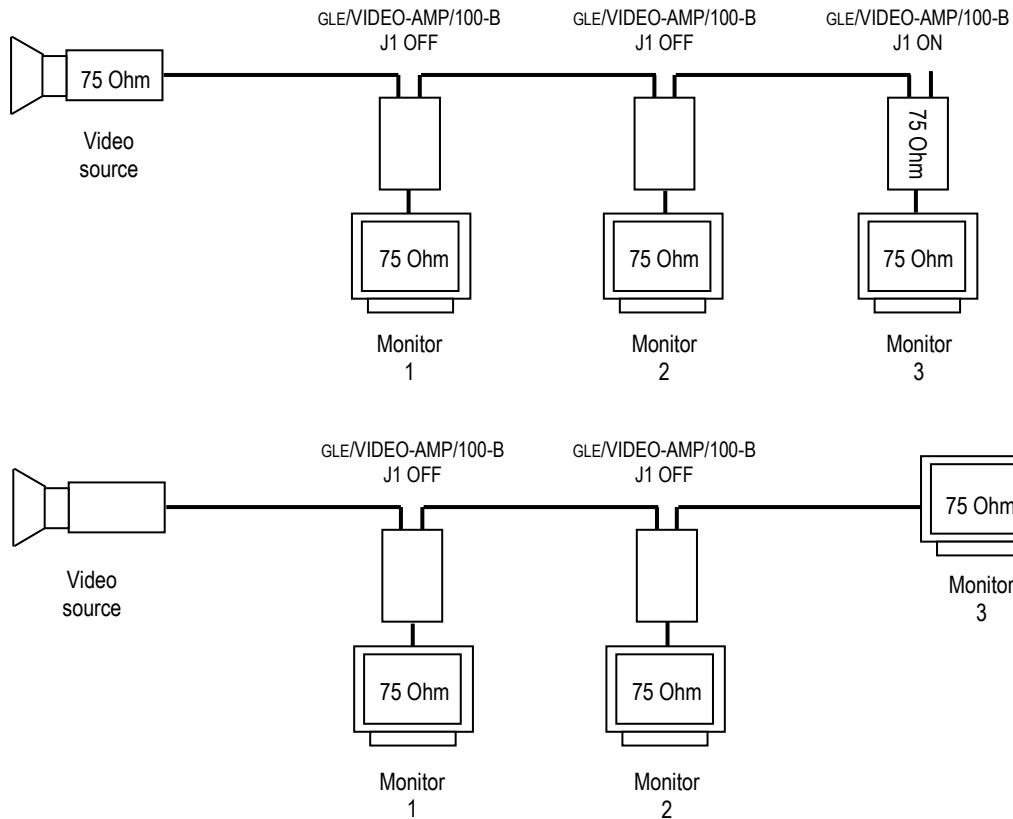
GLE/VIDEO-AMP/100-B unit is made by the following functional blocks.

- A DC/DC converter provides a stable and ground isolated +/-12V internal power supply.
- An operational amplifier input stage couples the video input line. The input can have a 75 Ohm impedance or high impedance.
- An attenuation stage provides signal attenuation without perturbing the input signal.
- A high stability voltage generator provides a stable and clean reference for the offset regulation of the output signal.
- An output buffer mix the attenuated input signal with the voltage reference and allows the fine gain correction. The output impedance is 75 Ohm.

Due to continuous developments, specifications are subject to change without prior notice.

This product is not intended for applications whose its failure to perform can be expected to cause damages to properties and/or persons and/or injury to human life.

Application notes



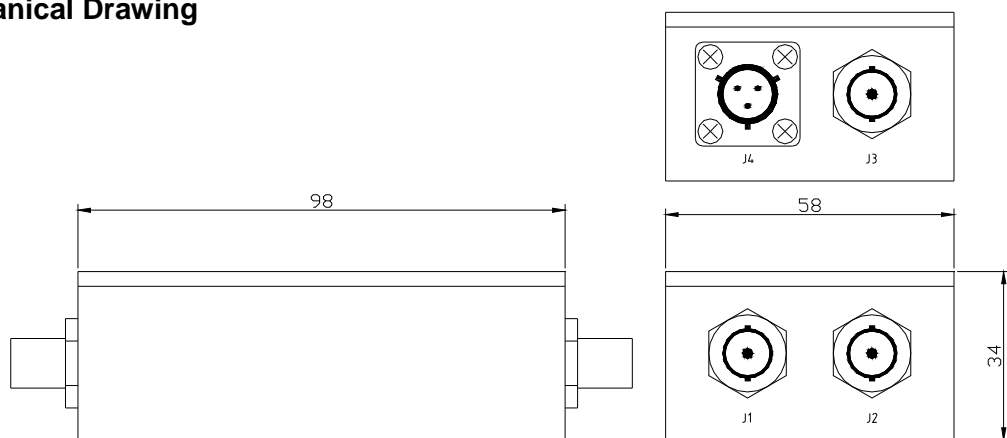
Connectors

Designation	Functions	Module Connectors (J)	Mating Connectors (P)	Manufacturer
J1 / P1	Video IN	24 BNC-75-2-6/133 NE	11 BNC 75-2-15/133 NE	SUHNER
J2 / P2	Video OUT (line to line)	24 BNC-75-2-6/133 NE	11 BNC 75-2-15/133 NE	SUHNER
J3 / P3	Video OUT (buffered)	24 BNC-75-2-6/133 NE	11 BNC 75-2-15/133 NE	SUHNER
J4 / P4	Power In	851 02E83P50	851 06EC83S50	SOURIAU

J4 pin Assignment, Power Supply	
Function	Pin
Power Supply Input + (19...35 VDC)	A
Power Supply Return	B
Chassis	C

Mating connectors are not provided

Mechanical Drawing



All dimensions are in millimeters